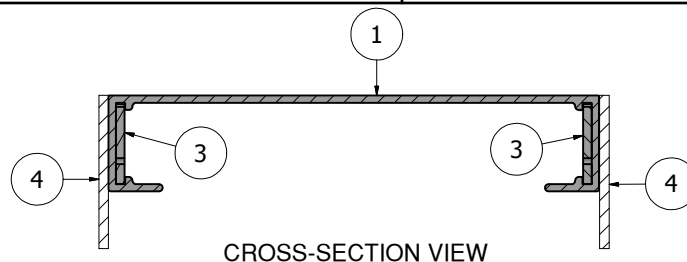
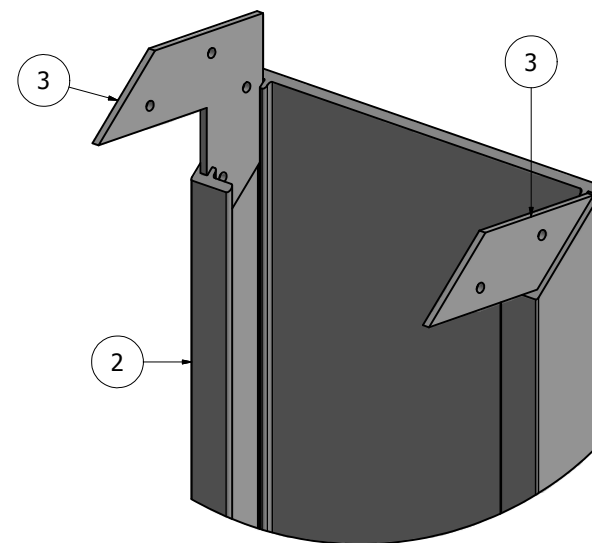
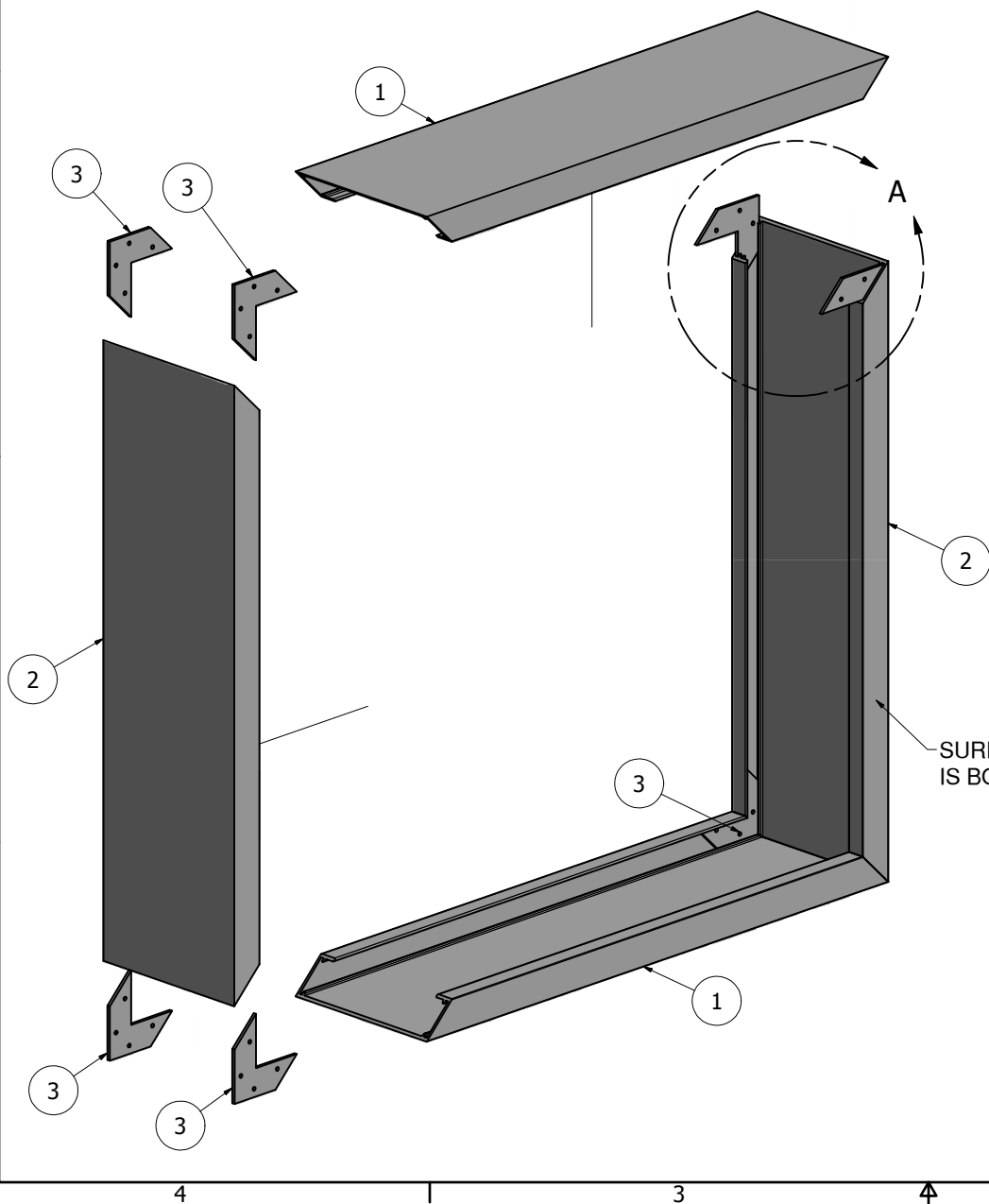


PARTS LIST			
ITEM	PART #	DESCRIPTION	NOTES
1	1575	Series 7 Frameless Body	Top & Bottom
2	1575	Series 7 Frameless Body	Sides
3	5210	Corner Key	
4		Aluminum Face	Routers of Flush to the Body - By Other

Ship To:
Sales Order #



NOTE: THE CORNER KEYS ARE DESIGNED TO BE BONDED OR WELDED TO THE BODY.



NOTE: PRE-CUT KITS ARE NOT PRE-DRILLED.
(Holes shown in this drawing are for reference only.
Drilling of pilot holes are to be done by fabricator.)

THIS DRAWING WAS CREATED AT NO CHARGE TO ASSIST YOU IN VISUALIZING OUR PROPOSAL. THE DRAWING HEREIN IS THE PROPERTY OF SIGNCOMP. PERMISSION TO COPY OR REVISE THIS DRAWING OR TO USE THIS DRAWING FOR PRODUCTION IS STRICTLY PROHIBITED AND CAN ONLY BE COPIED, REVISED OR USED FOR PRODUCTION WITH THE EXPRESSED WRITTEN PERMISSION OF SIGNCOMP.

DRAWING BY:	SBreihof	4/15/2013	SignComp
Centroid X:	0.000 in	TITLE	
Centroid Y:	0.000 in	Series 7 Frameless Body Assembly	
Principal Moments Ix:	0.000 in ⁴	PART NO	
Principal Moments Iy:	0.000 in ⁴	1575	REV
Section Modulus Ix:	0.000 in ³		
Section Modulus Iy:	0.000 in ³		